

SCHEMATIC DIAGRAM - 20

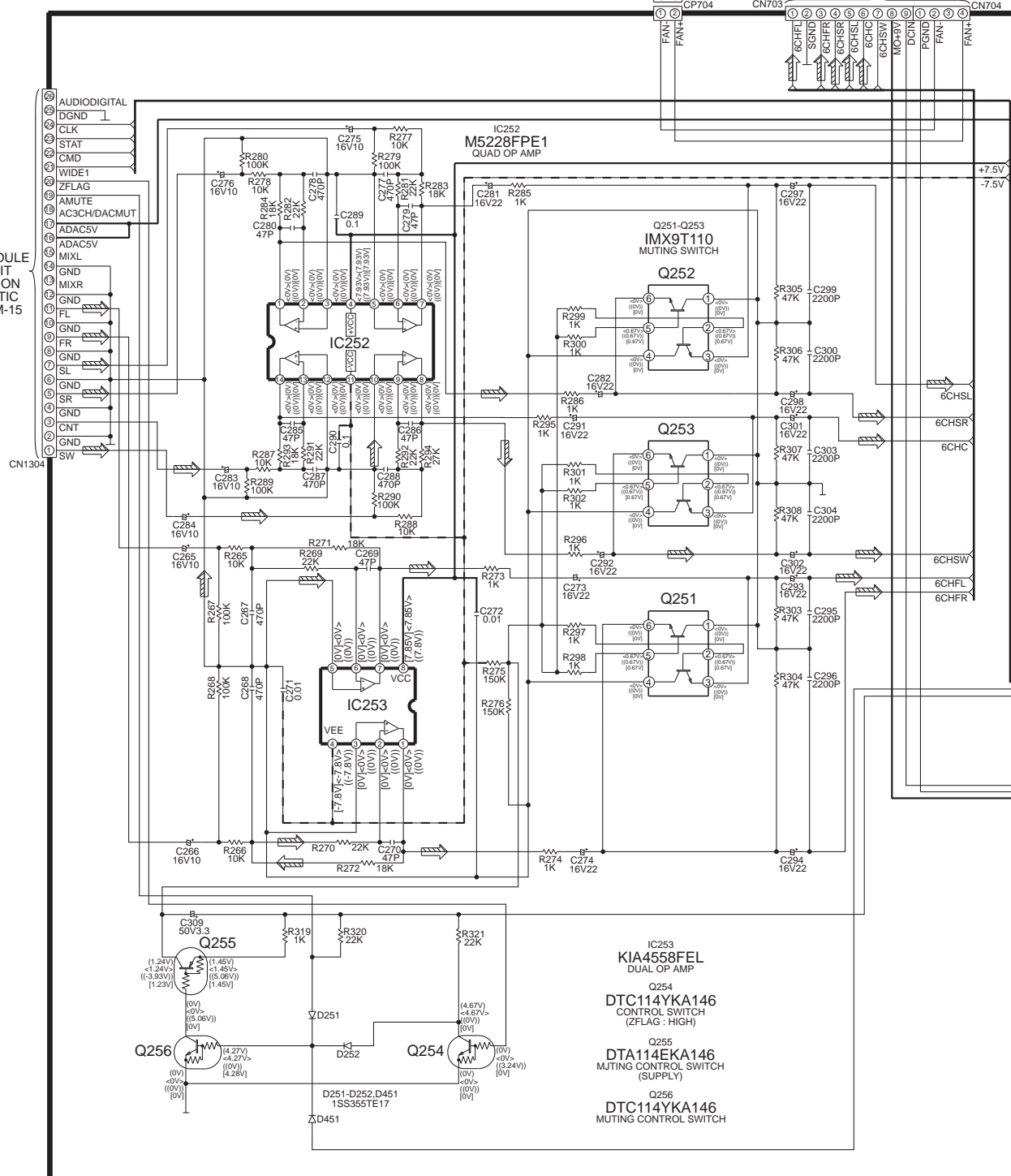
— : +B SIGNAL LINE - - - : -B SIGNAL LINE

F DVDREG CIRCUIT

TO B DVD MODULE (2) CIRCUIT (FP4202) ON SCHEMATIC DIAGRAM-15

FAN MOTOR

TO M MAIN CIRCUIT (CP703/CP704) ON SCHEMATIC DIAGRAM-25



SCHEMATIC DIAGRAM - 22

— : +B SIGNAL LINE - - - : -B SIGNAL LINE

F DVDREG CIRCUIT

TO MAIN CIRCUIT (CP701) ON SCHEMATIC DIAGRAM-25

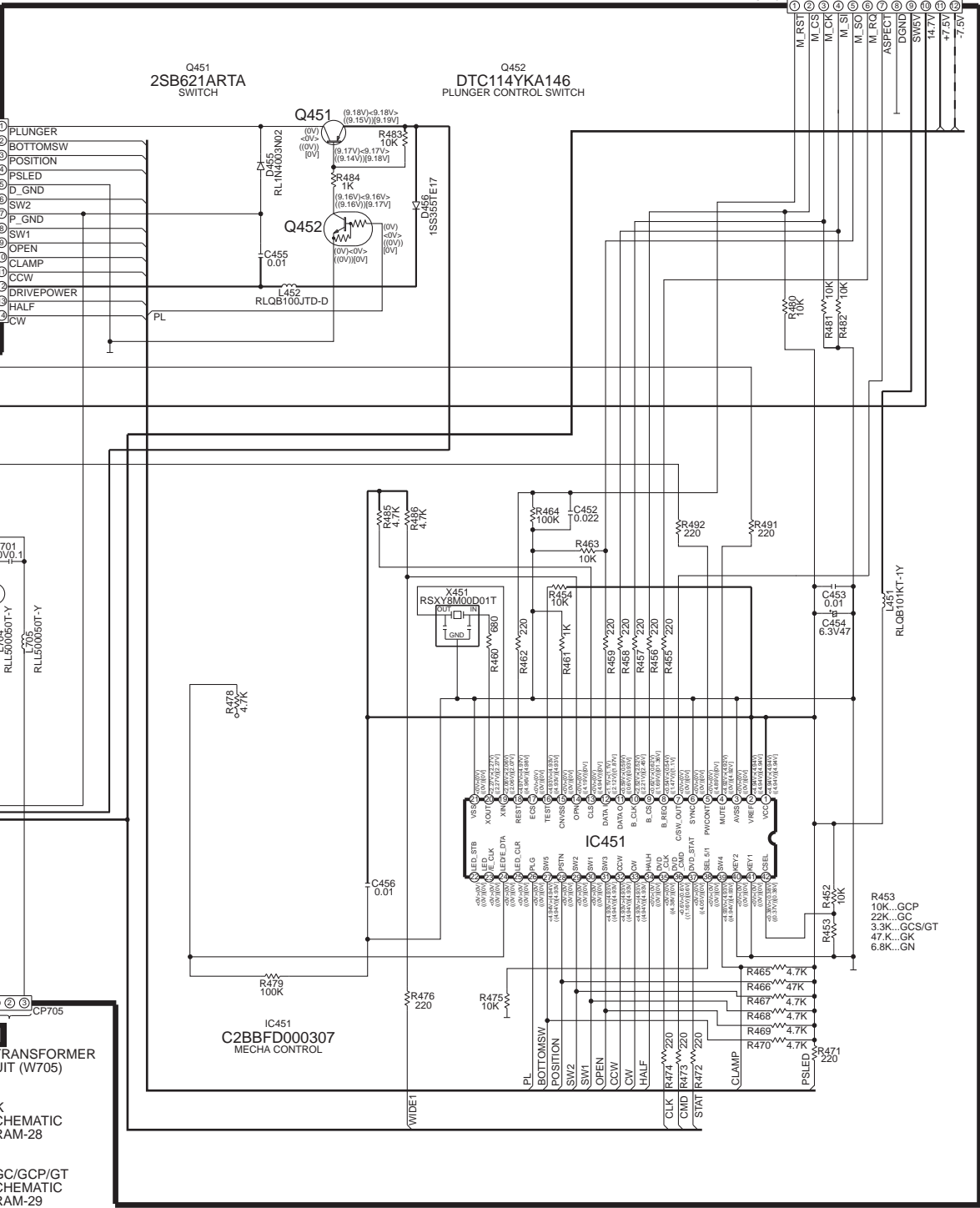
TO CD LOADING CIRCUIT (CN1) ON SCHEMATIC DIAGRAM-21

C701 100V0.1
 FPT02 4000
 L701
 RLL500050T-Y
 L705
 RLL500050T-Y

TO SUB-TRANSFORMER CIRCUIT (W705)

FOR GN/GK ON SCHEMATIC DIAGRAM-28

FOR GCS/GC/GCP/GT ON SCHEMATIC DIAGRAM-29



R453 R452 10K
 R453 10K...GCP
 22K...GC
 3.3K...GCS/GT
 47K...GK
 6.8K...GN

L451
 RLOB101KT-1Y

R471 220

R472 220

R473 220

R474 220

R475 220

R476 220

R477 220

R478 4.7K

R479 100K

R480 180

R481 10K

R482 10K

R483 10K

R484 10K

R485 220

R486 220

R487 220

R488 220

R489 220

R490 220

R491 220

R492 220

R493 100K

R494 100K

R495 4.7K

R496 4.7K

R497 4.7K

R498 4.7K

R499 4.7K

R500 4.7K

R501 4.7K

R502 4.7K

R503 4.7K

R504 4.7K

R505 4.7K

R506 4.7K

R507 4.7K

R508 4.7K

R509 4.7K

R510 4.7K

R511 4.7K

R512 4.7K

R513 4.7K

R514 4.7K

R515 4.7K

R516 4.7K

R517 4.7K

R518 4.7K

R519 4.7K

R520 4.7K

R521 4.7K

R522 4.7K

R523 4.7K

R524 4.7K

R525 4.7K

R526 4.7K

R527 4.7K

R528 4.7K

R529 4.7K

R530 4.7K

R531 4.7K

R532 4.7K

R533 4.7K

R534 4.7K

R535 4.7K

R536 4.7K

R537 4.7K

R538 4.7K

R539 4.7K

R540 4.7K

R541 4.7K

R542 4.7K

R543 4.7K

R544 4.7K

R545 4.7K

R546 4.7K

R547 4.7K

R548 4.7K

R549 4.7K

R550 4.7K

R551 4.7K

R552 4.7K

R553 4.7K

R554 4.7K

R555 4.7K

R556 4.7K

R557 4.7K

R558 4.7K

R559 4.7K

R560 4.7K

R561 4.7K

R562 4.7K

R563 4.7K

R564 4.7K

R565 4.7K

R566 4.7K

R567 4.7K

R568 4.7K

R569 4.7K

R570 4.7K

R571 4.7K

R572 4.7K

R573 4.7K

R574 4.7K

R575 4.7K

R576 4.7K

R577 4.7K

R578 4.7K

R579 4.7K

R580 4.7K

R581 4.7K

R582 4.7K

R583 4.7K

R584 4.7K

R585 4.7K

R586 4.7K

R587 4.7K

R588 4.7K

R589 4.7K

R590 4.7K

R591 4.7K

R592 4.7K

R593 4.7K

R594 4.7K

R595 4.7K

R596 4.7K

R597 4.7K

R598 4.7K

R599 4.7K

R600 4.7K

R601 4.7K

R602 4.7K

R603 4.7K

R604 4.7K

R605 4.7K

R606 4.7K

R607 4.7K

R608 4.7K

R609 4.7K

R610 4.7K

R611 4.7K

R612 4.7K

R613 4.7K

R614 4.7K

R615 4.7K

R616 4.7K

R617 4.7K

R618 4.7K

R619 4.7K

R620 4.7K

R621 4.7K

R622 4.7K

R623 4.7K

R624 4.7K

R625 4.7K

R626 4.7K

R627 4.7K

R628 4.7K

R629 4.7K

R630 4.7K

R631 4.7K

R632 4.7K

R633 4.7K

R634 4.7K

R635 4.7K

R636 4.7K

R637 4.7K

R638 4.7K

R639 4.7K

R640 4.7K

R641 4.7K

R642 4.7K

R643 4.7K

R644 4.7K

R645 4.7K

R646 4.7K

R647 4.7K

R648 4.7K

R649 4.7K

R650 4.7K

R651 4.7K

R652 4.7K

R653 4.7K